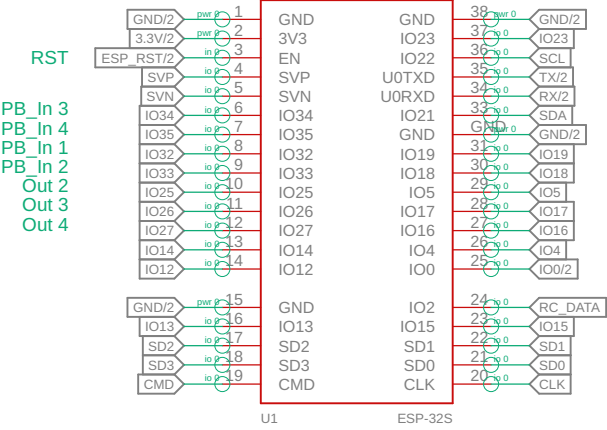
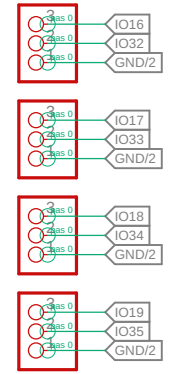
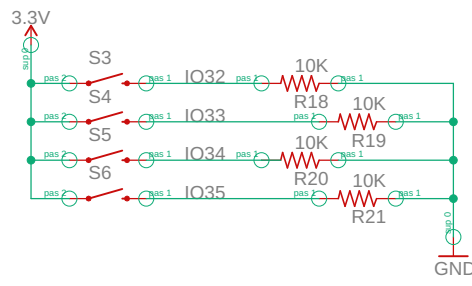


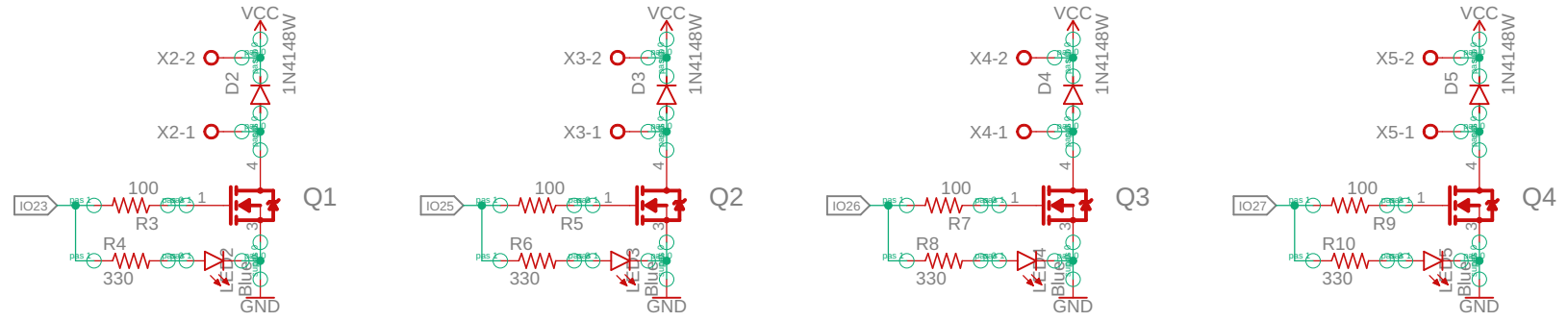
Microcontroller



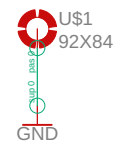
Inputs



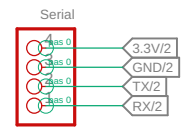
Outputs



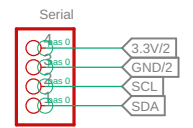
Mounting holes



Serial port



I2C port



NOTES:

Smart\_Lights\_X4  
 By J.G.Aguado  
 not saved!  
 Sheet: 1/2

